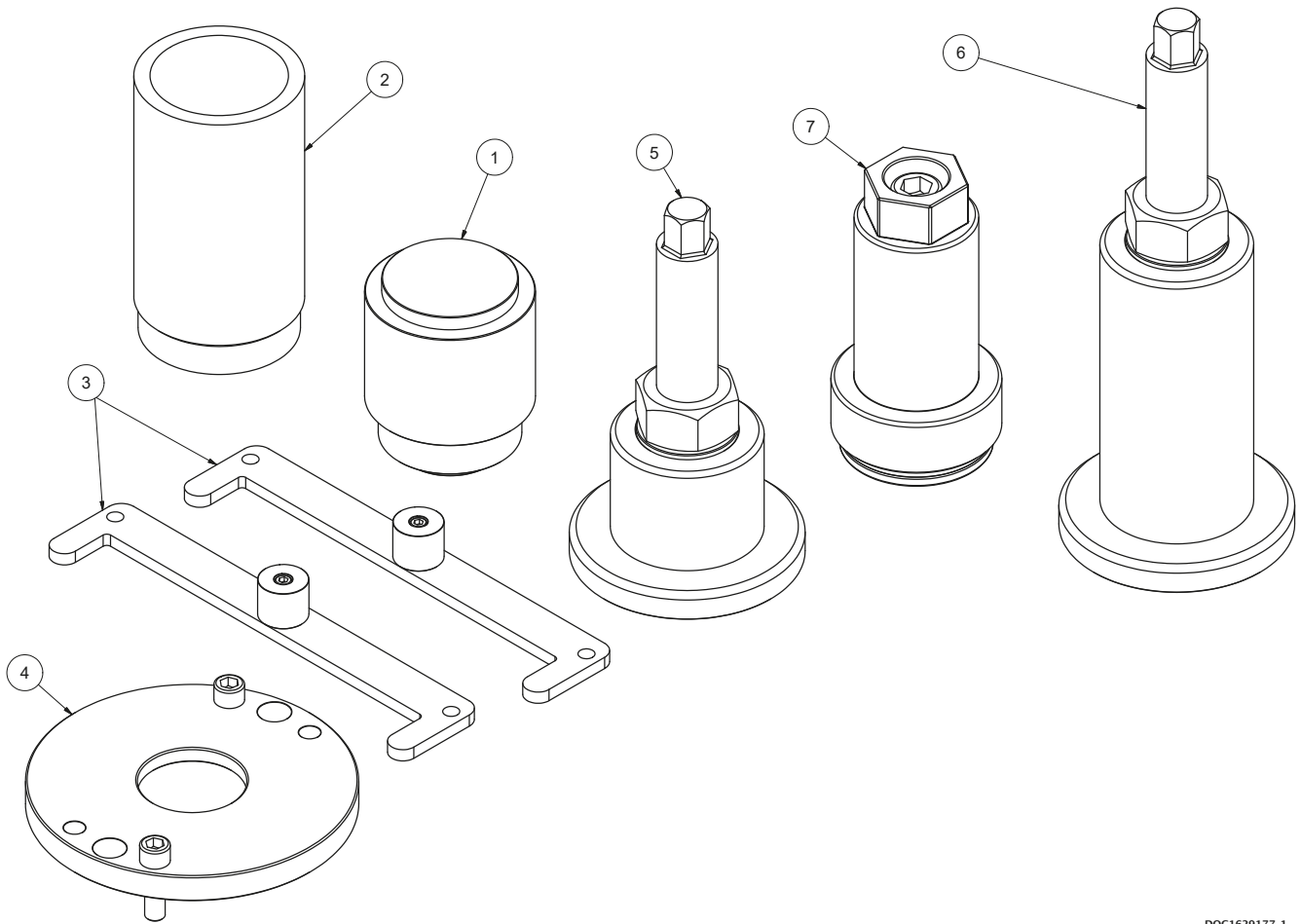


Special tool set



DOC1629177_1

Pos.	Part number	Description	Qty.	Material
1	1629171	Mandrel radial shaft seal Ø85 + Ø100	1	Plastic
2	1629117	Mechanical shaft seal tool	1	Plastic
3	1629134	Alignment tool	2	Steel
4	1629173	Machined bearing cap set	1	Steel
5	1629115	Bearing mounting tool set NDE	1	Steel
6	1629116	Bearing mounting tool set DE	1	Steel
7	1629175	Bearing tool set	1	Steel