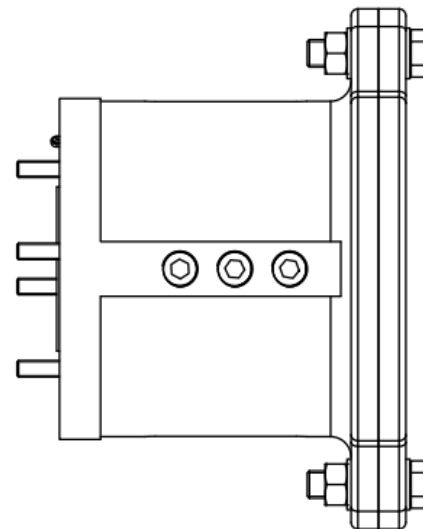
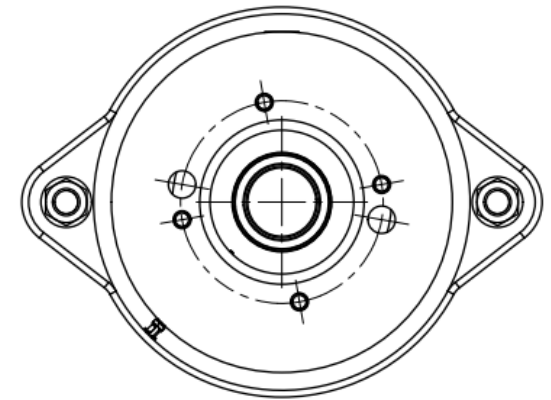
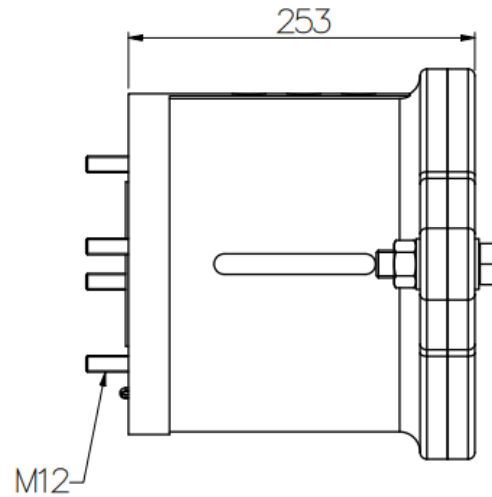
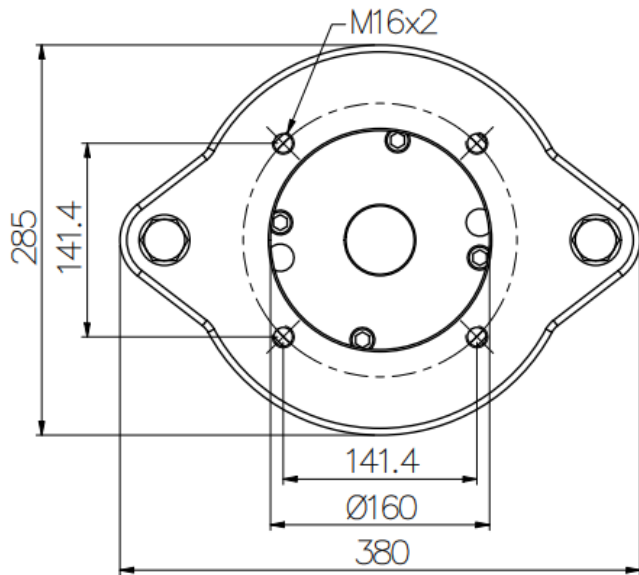


# Truck Master 1700 Adaptor for hydraulic

DOC1615031\_3



**SAMSON PUMPS**