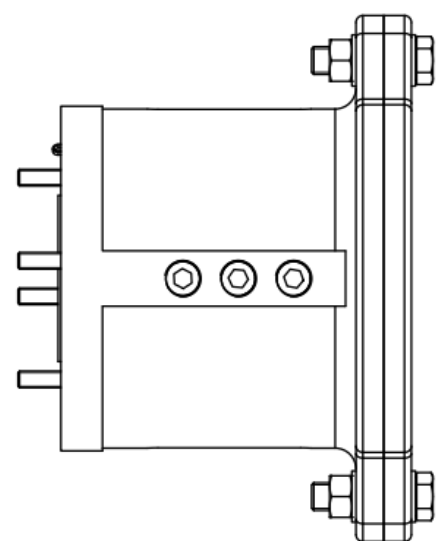
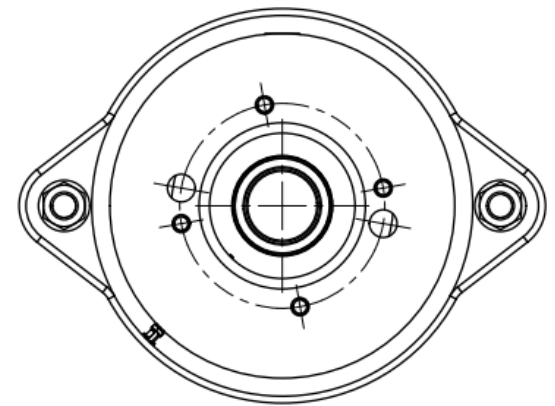
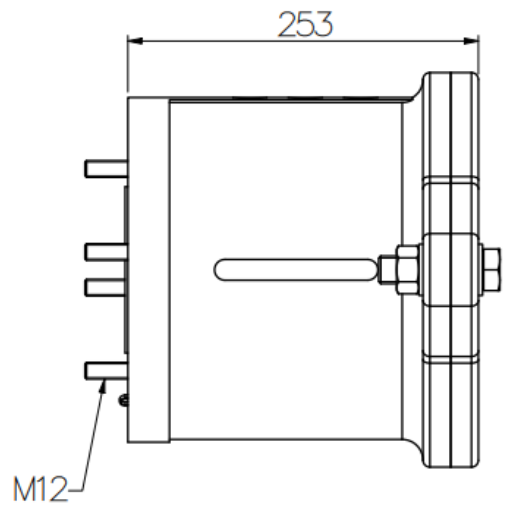
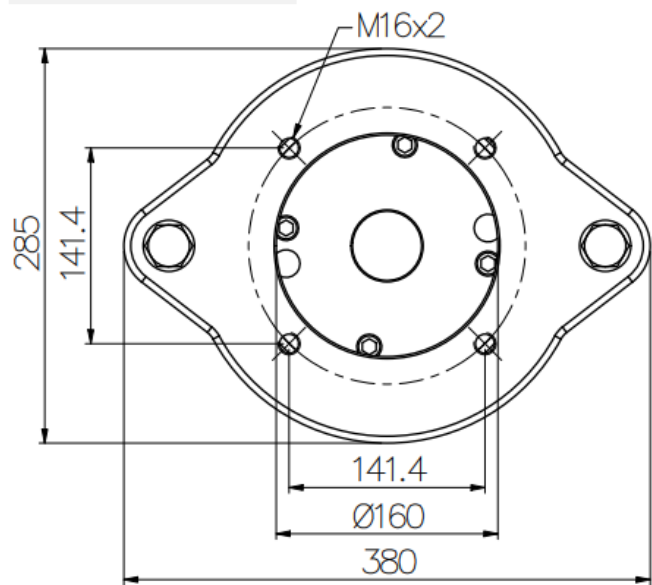


TM 2500 Adaptor for hydraulic motor 090 ISO

DOC1615031_3



SAMSON PUMPS