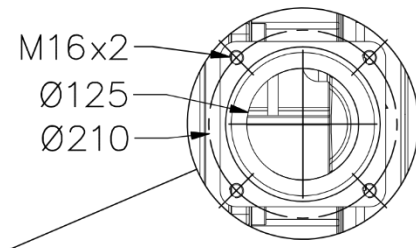
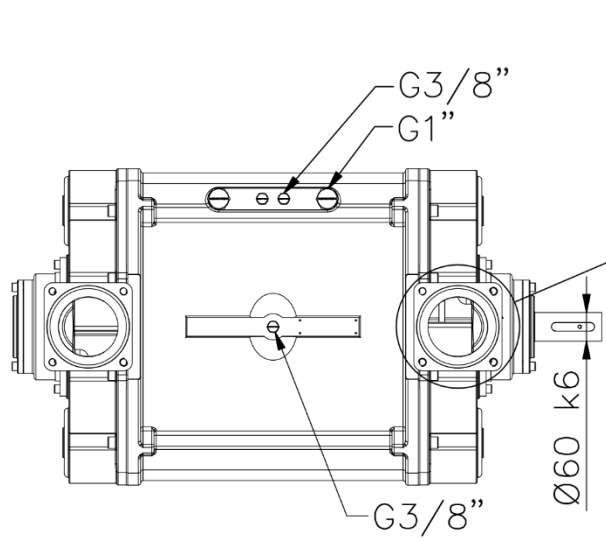
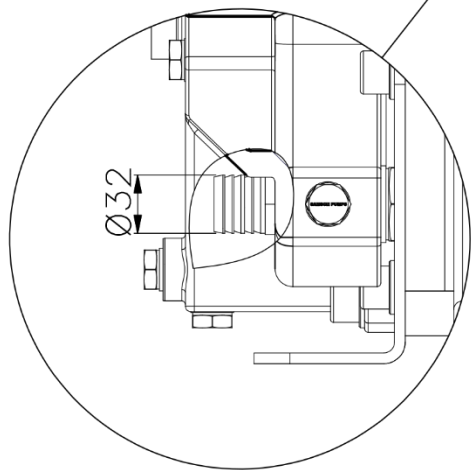
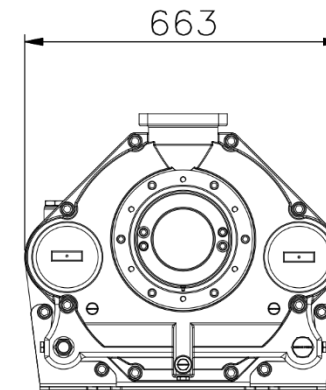
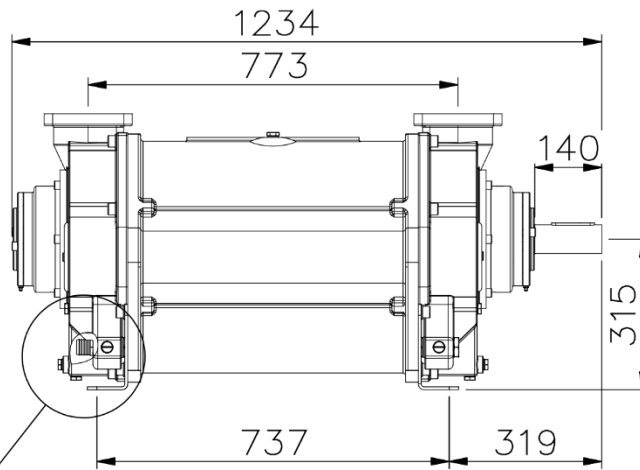
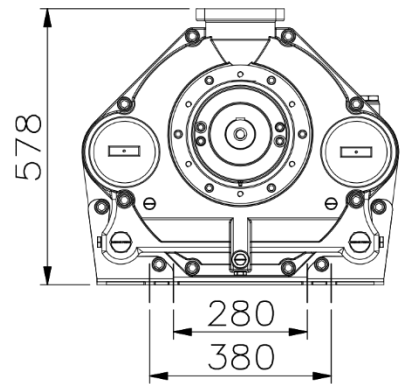


Truck Master 3400 - G 2.0

DOC 1627468_1



SAMSON PUMPS