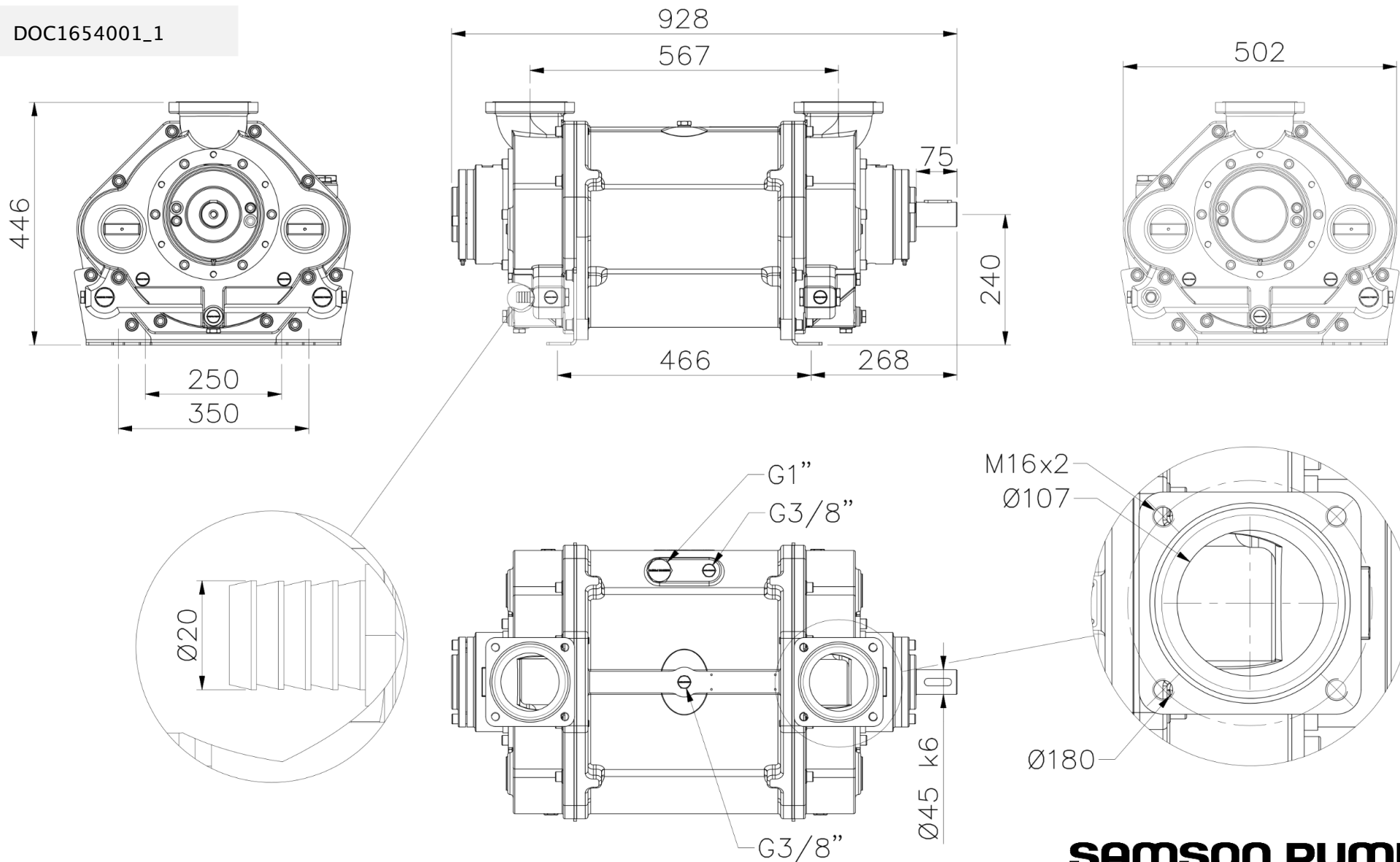


# Truck Master 1700 - G 2.0

DOC1654001\_1



**SAMSON PUMPS**